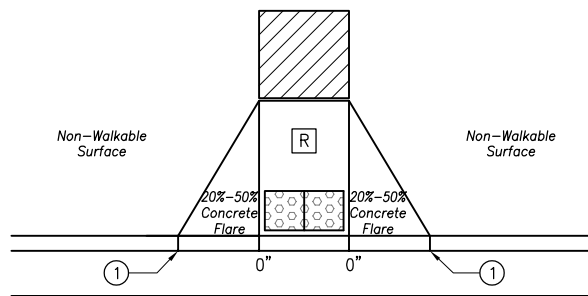
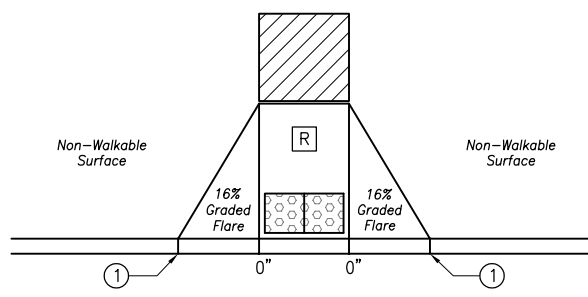


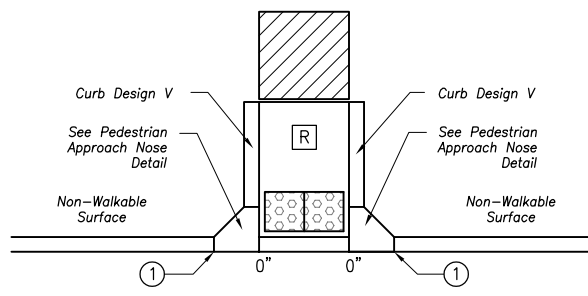
Paved Flares Adjacent to Walkable Surface



Paved Flares Adjacent to Non-Walkable Surface

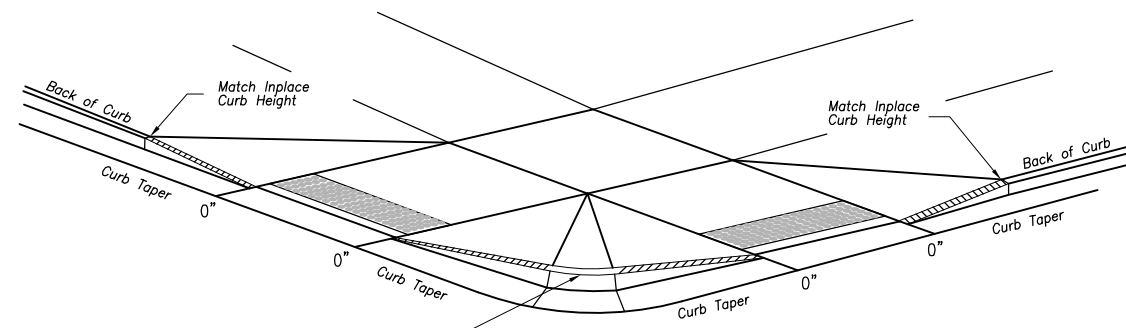


Graded Flares



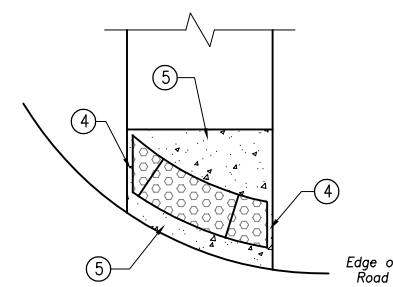
Returned Curb

Typical Side Treatment Options

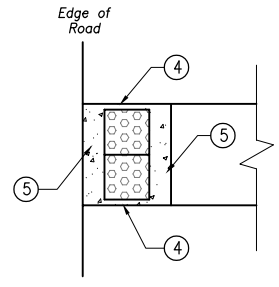


3" minimum curb height, 4" preferred (measured at front face of curb) for a min. 6' length (measured along flow line)

Detectable Edge with Curb and Gutter

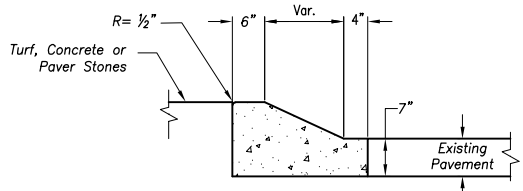
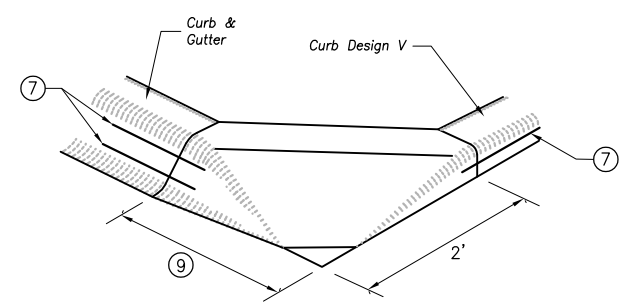


Radial Detectable Warning

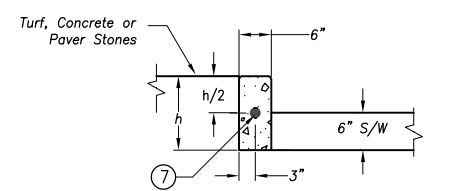


Rectangular Detectable Warning

Detectable Edge without Curb and Gutter



Section A-A

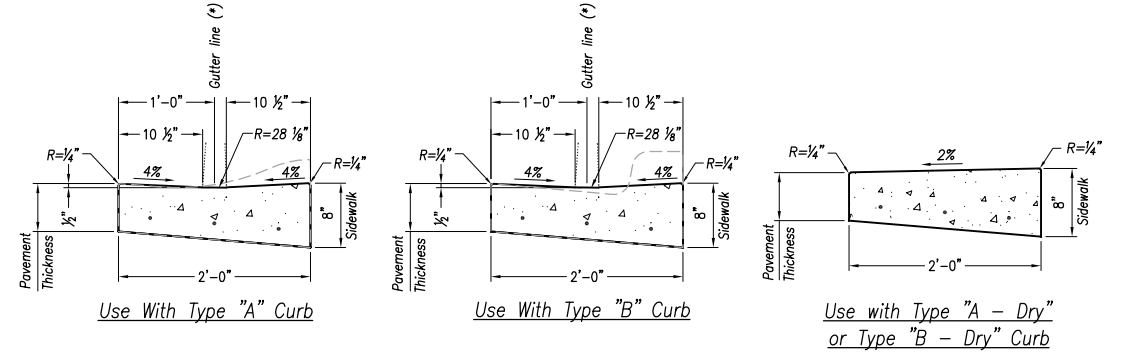


Section B-B

Pedestrian Approach Nose Detail
(For Returned Curb Side Treatment)

Ramp Element Notes

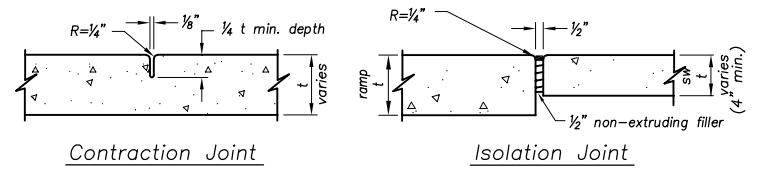
- A walkable surface is defined as a paved surface adjacent to a curb ramp without raised obstacles that could mistakenly be traversed by a user who is visually impaired. Concrete flare lengths adjacent to non-walkable surfaces should be less than 8' long measured along the ramps from the back of curb.
- Full curb height.
 - Side treatments are applicable to all ramp types and should be implemented as needed as field conditions dictate. The engineer shall determine the ramp side treatments based on maintenance of both roadway and sidewalk, adjacent property considerations, and mitigating construction impacts.
 - Typically used for medians and islands.
 - When no concrete flares are proposed, maintain 2" between edge of domes and edge of concrete.
 - If no curb and gutter is placed in rural sections, detectable warnings shall be placed 1' from the edge of bituminous roadway and/or bituminous shared-use path to provide visual contrast.
 - All constructed curbs must have a continuous detectable edge for the visually impaired. This detectable edge requires detectable warnings wherever there is zero-inch high curb. Curb tapers are considered a detectable edge when the taper starts within 2" of the edge of the detectable warnings and uniformly rises to a 3-inch minimum curb height. Any curb not part of a curb taper and less than 3 inches in height is not considered a detectable edge and therefore is not compliant with accessibility standards.
 - Drill and epoxy 1 - #4 12" long reinforcement bar (epoxy coated) with 3" min. cover. Reinforcement bars are not needed if the approach nose is poured integral with the curb. Use 2 - #4 bars when curb height exceeds 6".
 - Side treatment examples shown are when the initial landing is approximately level with the full height curb (i.e. 6" long ramp for 6" high curb). When the initial landing is more than 1" below full height curb refer to sheets 1 & 2 to modify the curb height tapers and maintain positive boulevard drainage.
 - 3' for medians and splitter islands. Nose can be reduced to 2' on free right islands.



* - 0.5% minimum positive slope in gutter line shall be maintained through transition from standard curb to ramp curb

Street Curb Detail at Ramp

Note: See Standard Curb Detail for additional requirements



Joint Details

Legend	
	Curb Ramp
	Turning Space - 4' x 4' min. (5' x 4' min. when constrained). Max 2.0% slope in all directions. Turning Spaces shall be full width of incoming PARs.
	Detectable Warning Plates
	Curb height

REVISIONS:	
Dec. 2006	ADA Compliance
Jan. 2018	Updated ADA Compliance
RELATED ORDINANCES:	
OPMC Title 13	

Year 2021 Edition

OVERLAND PARK
KANSAS
ABOVE AND BEYOND. BY DESIGN.

DEPARTMENT OF PUBLIC WORKS
STANDARD DETAILS

SIDEWALK & SIDEWALK RAMP DETAILS

DATE: 01/20/04 SHEET: 32_b