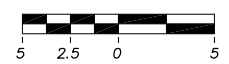
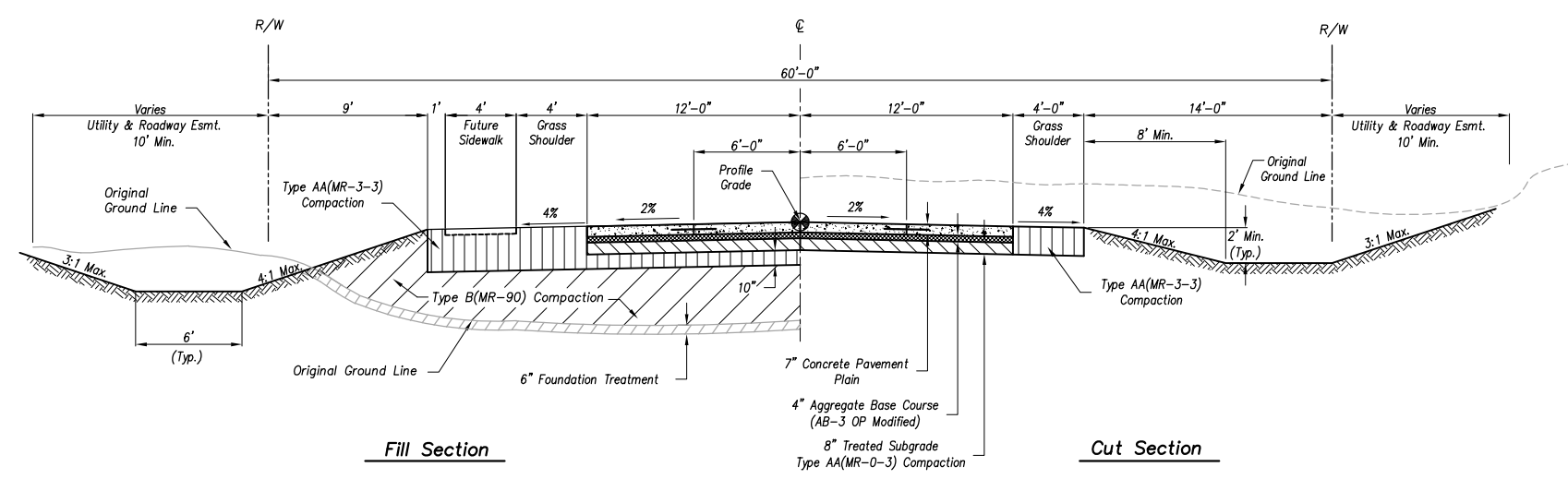


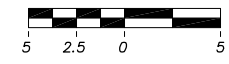
- Notes:**
1. The Overland Park Municipal Code (OPMC) and Overland Park Design and Construction Standards Manual (OPDCSM) are incorporated, except as otherwise noted.
 2. Sidewalk and Earthwork requirements shall be as specified in OPDCSM.



RE District Ditch Street Section – Collector Street



- Notes:**
1. The Overland Park Municipal Code (OPMC) and Overland Park Design and Construction Standards Manual (OPDCSM) are incorporated, except as otherwise noted.
 2. Sidewalk and Earthwork requirements shall be as specified in OPDCSM.



RE District Ditch Street Section – Residential Street

Year 2021 Edition

REVISIONS:	
RELATED ORDINANCES:	
OPMC Title 13	
OPMC Title 18	

OVERLAND PARK
KANSAS
ABOVE AND BEYOND. BY DESIGN.

DEPARTMENT OF PUBLIC WORKS
STANDARD DETAILS

RE DISTRICT DITCH STREET SECTION
(CONCRETE)

DATE: 01/28/2015 SHEET: 6