

Junction Box Notes

General

1. Overland Park Municipal Code (OPMC) and Overland Park Design and Construction Standards Manual (OPDCSM) are incorporated, except as otherwise noted.
2. All storm sewer structures shall be pre-cast or poured in place. If pre-cast structures are used, the tops shall be poured in place and the wall steel shall be left exposed to a height 2" below the finish top elevation, or as directed by the City Engineer.
3. Pre-cast shop drawings are to be approved by the City Engineer for publicly financed or administered projects. Pre-cast shop drawings for privately financed projects are to be submitted to the Engineering Services Division of the Planning and Development Services Department.
4. Do not scale these drawings for dimensions or clearances. Any questions regarding dimensions shall be brought to the attention of the City Engineer prior to construction.
5. The first dimension listed in the construction notes is the "L" dimension. The second dimension is the "W" dimension. The concrete thickness and reinforcement shown is for boxes with ("L"+"H") and ("W"+"H") less than or equal to 20. For boxes with either of these calculations greater than 20, a special design is required.

Concrete

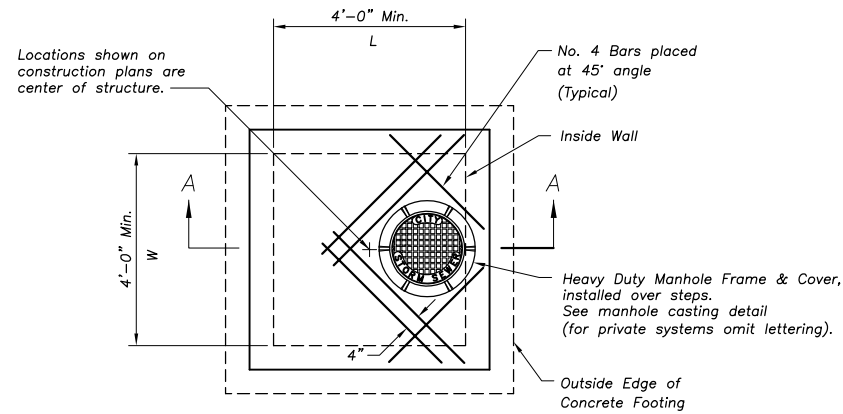
6. Concrete used in this work shall be KCMMB4K, as approved by the Kansas City Metropolitan Materials Board, and shall meet the requirements of the OPMC.
7. Non-reinforced concrete invert shall be shaped to provide smooth flow.
8. Bevel all exposed edges with  $\frac{3}{4}$ " triangular molding.

Reinforcing Steel

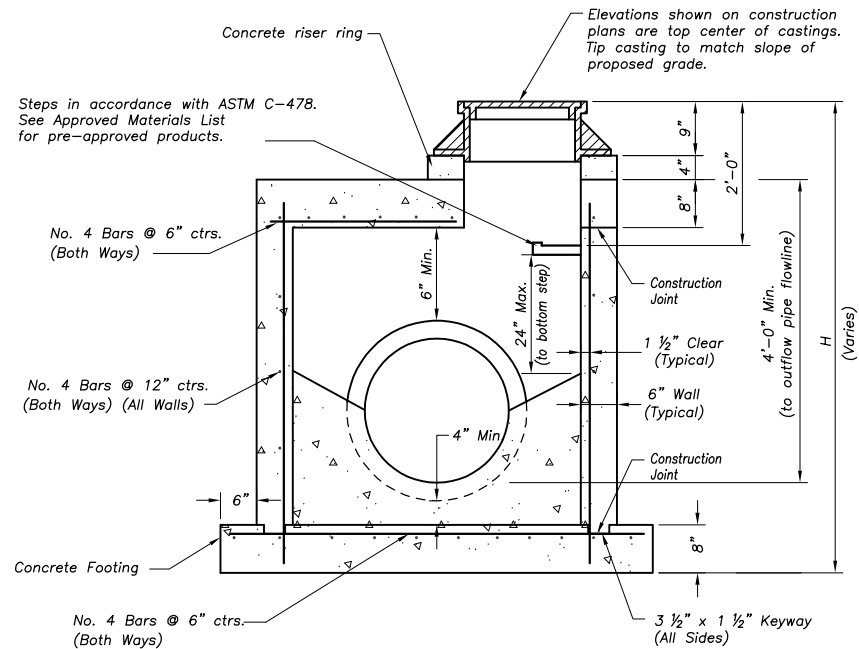
9. Reinforcing steel shall be new billet, minimum Grade 40 as per ASTM A615, and shall be bent cold.
10. All dimensions relative to reinforcing steel are to centerline of bars. 2" clearance shall be provided throughout unless noted otherwise. Tolerance of  $\pm \frac{1}{8}$ " shall be permitted.
11. All lap splices not shown shall be a minimum of 40 bar diameters in length.
12. All reinforcing steel shall be supported on fabricated steel bar supports @ 3'-0" maximum spacing.
13. All dowels shall be accurately placed and securely tied in place prior to placement of bottom slab concrete. Sticking of dowels into fresh or partially hardened concrete will not be acceptable.

Construction

14. The bottom slab shall be at least 24 hours old before placing sidewall concrete. All sidewall forms shall remain in place a minimum of 24 hours after sidewalls are poured before removal, and after removal shall be immediately treated with membrane curing compound.
15. Pipe connections to pre-cast structures shall have a minimum of 6" of concrete around the entire pipe within 2' of the outside wall of structure. A minimum of 2" - maximum of 6" clearance is required between the outside pipe wall and the edge of blackout.
16. Tamped backfill shall be used around structures, except under paved areas. Tamped backfill shall be finely divided job excavated material free from debris, organic material and stones, compacted to 95% maximum density as determined by AASHTO STANDARD, Method T-99. Removable Flowable Fill is required under any portion of paved right of way, including the area within existing or future public street pavement and under existing or future curb and gutter, median, asphalt path, concrete sidewalk.



Plan  
Not to Scale



Section A-A  
Not to Scale

JUNCTION BOX

Year 2021 Edition

REVISIONS:	
05/20/03	Notes;
07/01/03	Concrete Mix Designation;
Jan. 2006	Miscellaneous;
RELATED ORDINANCES:	
OPMC Title 15	

**OVERLAND PARK**  
KANSAS

ABOVE AND BEYOND. BY DESIGN.

DEPARTMENT OF PUBLIC WORKS  
STANDARD DETAILS

JUNCTION BOX DETAILS