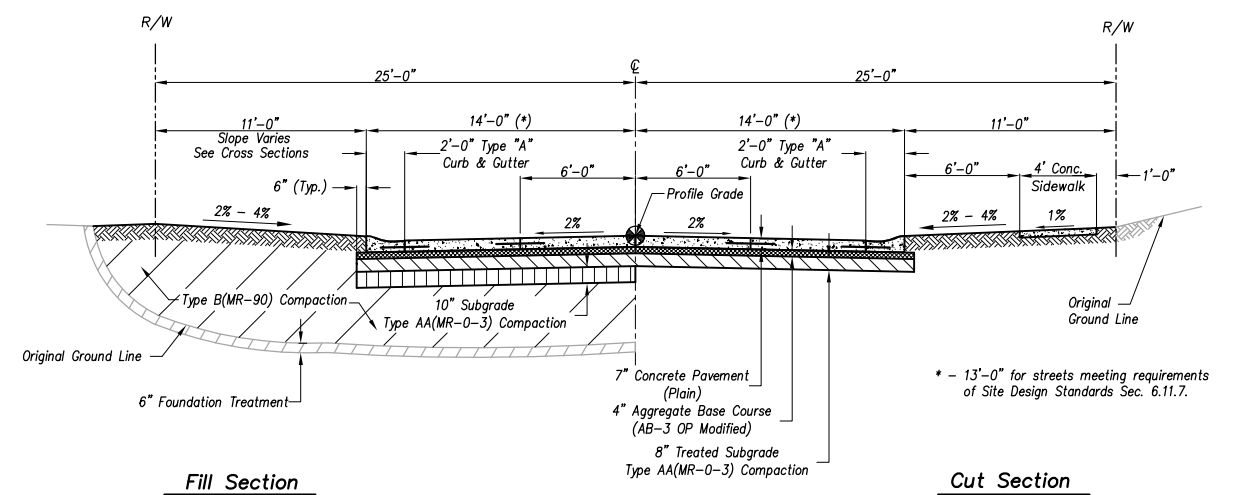
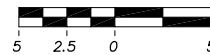


Typical Roadway Section – Collector Street

Notes:

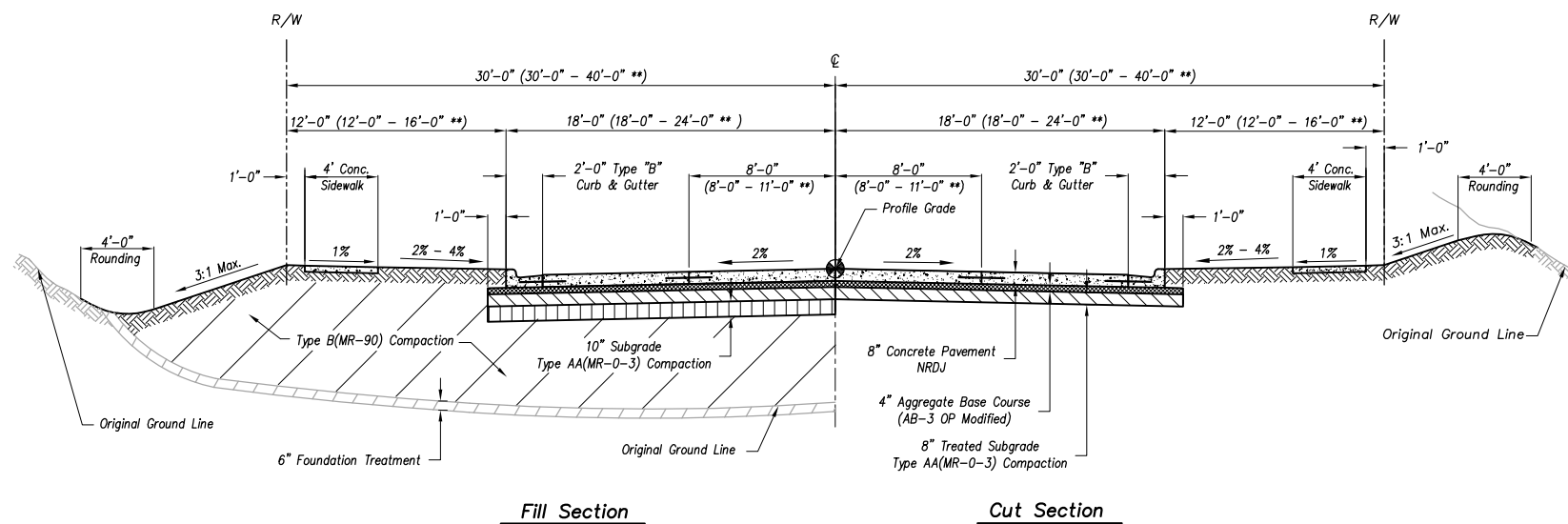
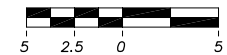
- The Overland Park Municipal Code (OPMC) and Overland Park Design and Construction Standards Manual (OPDCSM) are incorporated, except as otherwise noted.
- Sidewalk and Earthwork requirements shall be as specified in OPDCSM.



Typical Roadway Section – Residential Street

Notes:

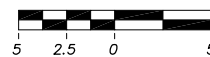
- The Overland Park Municipal Code (OPMC) and Overland Park Design and Construction Standards Manual (OPDCSM) are incorporated, except as otherwise noted.
- Sidewalk and Earthwork requirements shall be as specified in OPDCSM.



Typical Roadway Section – Industrial (Commercial \*\*) or Apartment Street

Notes:

- The Overland Park Municipal Code (OPMC) and Overland Park Design and Construction Standards Manual (OPDCSM) are incorporated, except as otherwise noted.
- Sidewalk and Earthwork requirements shall be as specified in OPDCSM.



Year 2021 Edition

**OVERLAND PARK**  
KANSAS  
ABOVE AND BEYOND. BY DESIGN.

DEPARTMENT OF PUBLIC WORKS  
STANDARD DETAILS

CONCRETE STREET SECTION

REVISIONS:	
RELATED ORDINANCES:	
OPMC Title 13	
OPMC Title 18	