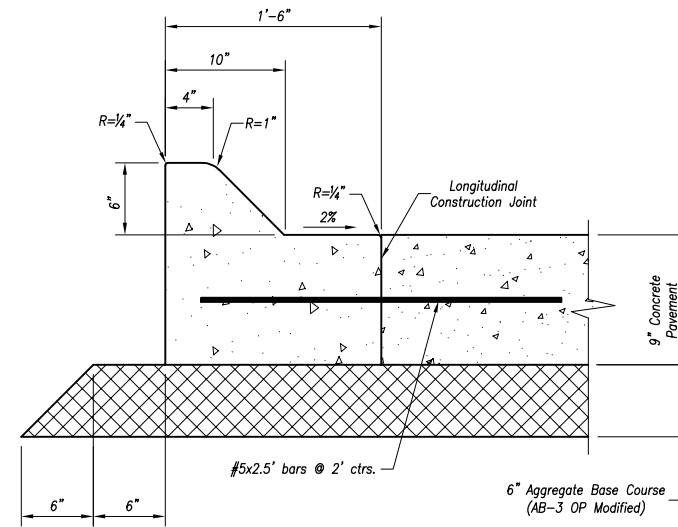
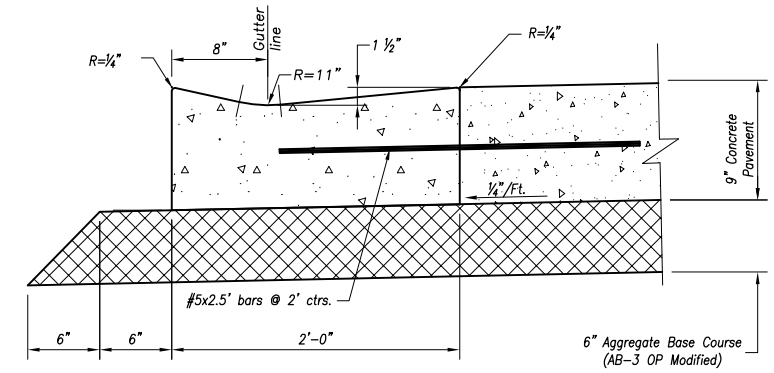


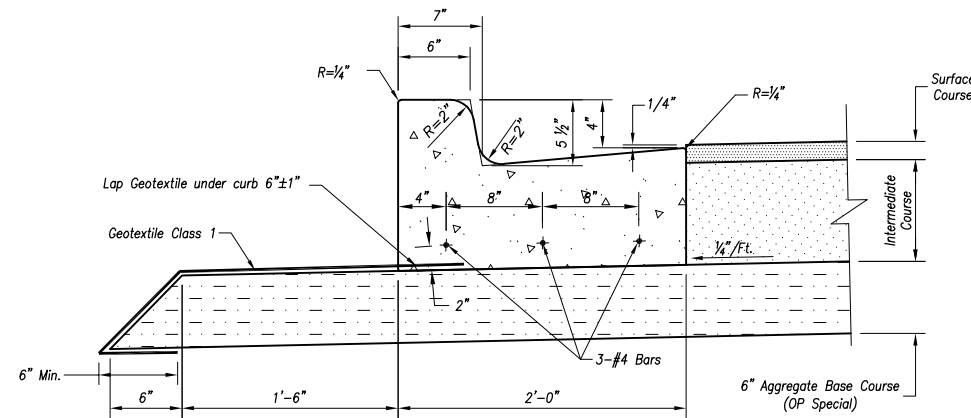
**Type "B" Curb / Concrete Pavement
with AB-3 OP Modified Base**



**Type "E" Median Curb / Concrete Pavement
with AB-3 OP Modified Base**



**Type "C" Curb / Concrete Pavement
with AB-3 OP Modified Base**



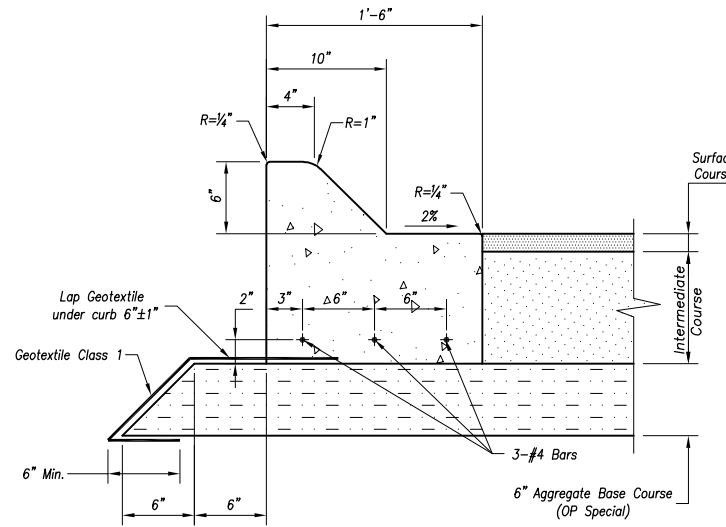
**Type "B" Curb / Asphalt Pavement
with OP Special Base**

Notes:

1. The Overland Park Municipal Code (OPMC) and Overland Park Design and Construction Standards Manual (OPDCSM) are incorporated, except as otherwise noted.

CONCRETE CURB & GUTTER

Not to Scale



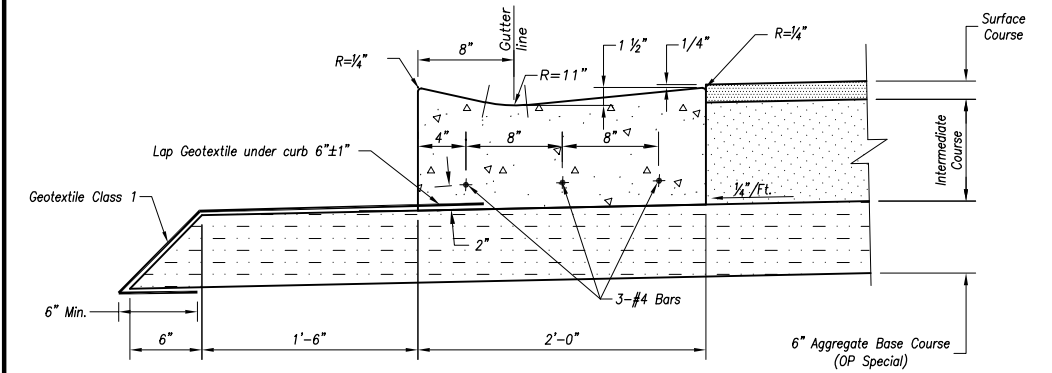
**Type "E" Median Curb / Asphalt Pavement
with OP Special Base**

Notes:

1. The Overland Park Municipal Code (OPMC) and Overland Park Design and Construction Standards Manual (OPDCSM) are incorporated, except as otherwise noted.

CONCRETE MEDIAN CURB

Not to Scale



**Type "C" Curb / Asphalt Pavement
with OP Special Base**

Notes:

1. The Overland Park Municipal Code (OPMC) and Overland Park Design and Construction Standards Manual (OPDCSM) are incorporated, except as otherwise noted.

CONCRETE CURB & GUTTER

Not to Scale

Year 2021 Edition

REVISIONS:	
07/01/03	Concrete Mix Designation;
Jan. 2008	Notes;
Feb. 2008	OPMC Reference
Jan. 2011	Median Curb
RELATED ORDINANCES:	
OPMC Title 13	

OVERLAND PARK
KANSAS
ABOVE AND BEYOND. BY DESIGN.
DEPARTMENT OF PUBLIC WORKS
STANDARD DETAILS
CONCRETE CURB WITH AGGREGATE BASE
(THOROUGHFARES)

DATE: 05/20/03

SHEET: 11