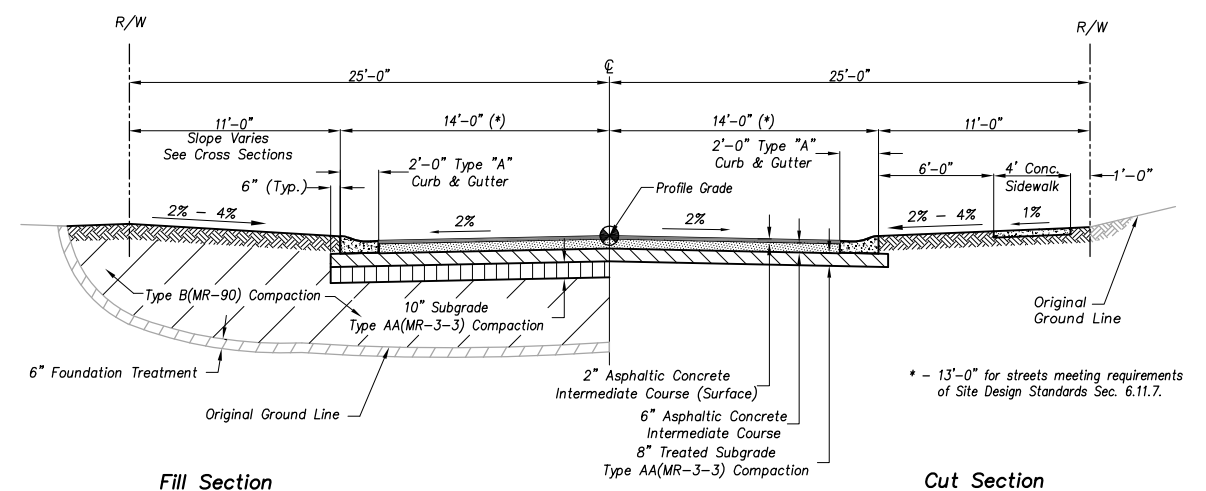


Typical Roadway Section – Collector Street

Notes:

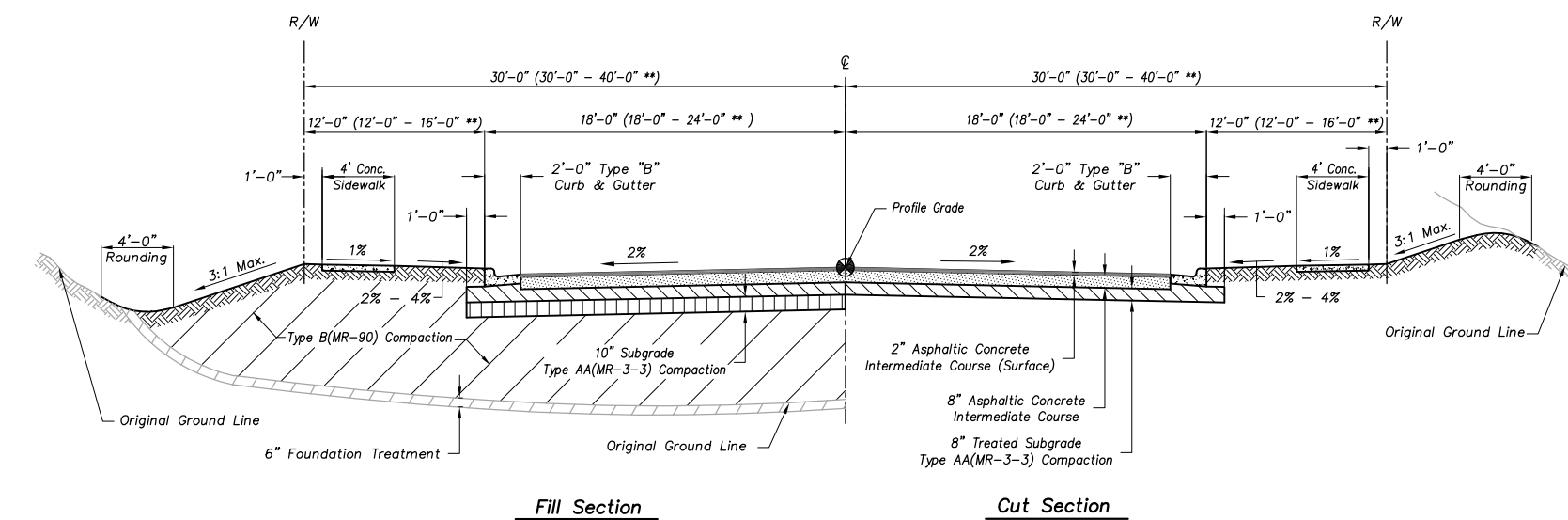
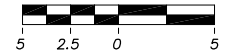
- The Overland Park Municipal Code (OPMC) and Overland Park Design and Construction Standards Manual (OPDCSM) are incorporated, except as otherwise noted.
- Sidewalk and Earthwork requirements shall be as specified in OPDCSM.



Typical Roadway Section – Residential Street

Notes:

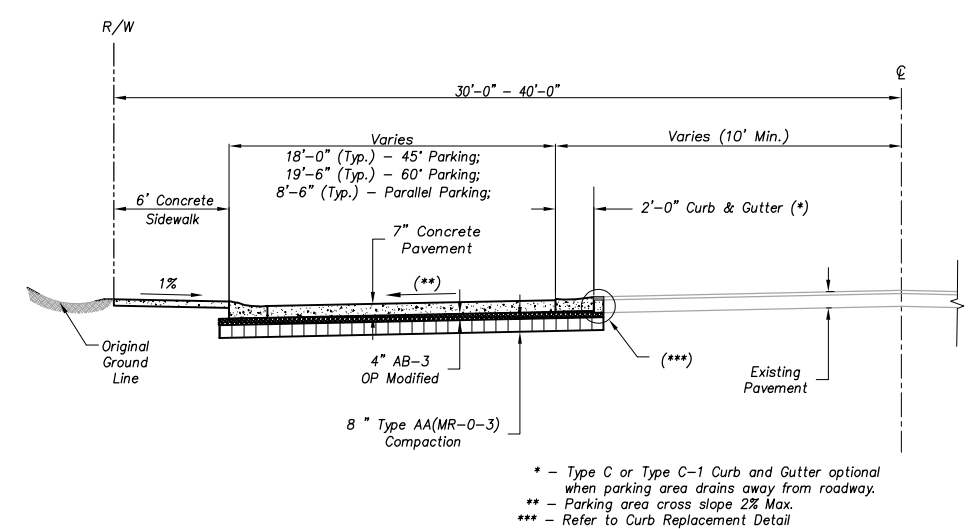
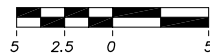
- The Overland Park Municipal Code (OPMC) and Overland Park Design and Construction Standards Manual (OPDCSM) are incorporated, except as otherwise noted.
- Sidewalk and Earthwork requirements shall be as specified in OPDCSM.



Typical Roadway Section – Industrial (Commercial \*\*) or Apartment Street

Notes:

- The Overland Park Municipal Code (OPMC) and Overland Park Design and Construction Standards Manual (OPDCSM) are incorporated, except as otherwise noted.
- Sidewalk and Earthwork requirements shall be as specified in OPDCSM.



Typical On Street Parking

Notes:

- The Overland Park Municipal Code (OPMC) and Overland Park Design and Construction Standards Manual (OPDCSM) are incorporated, except as otherwise noted.
- Sidewalk and Earthwork requirements shall be as specified in OPDCSM.



Year 2021 Edition

REVISIONS:	
05/10/01	Surface Course
07/01/03	Notes
Feb. 2008	OPMC Reference
RELATED ORDINANCES:	
OPMC Title 13	
OPMC Title 18	

**OVERLAND PARK**  
KANSAS

ABOVE AND BEYOND. BY DESIGN.  
DEPARTMENT OF PUBLIC WORKS  
STANDARD DETAILS

ASPHALT STREET SECTION

DATE: 09/28/99

SHEET: 5