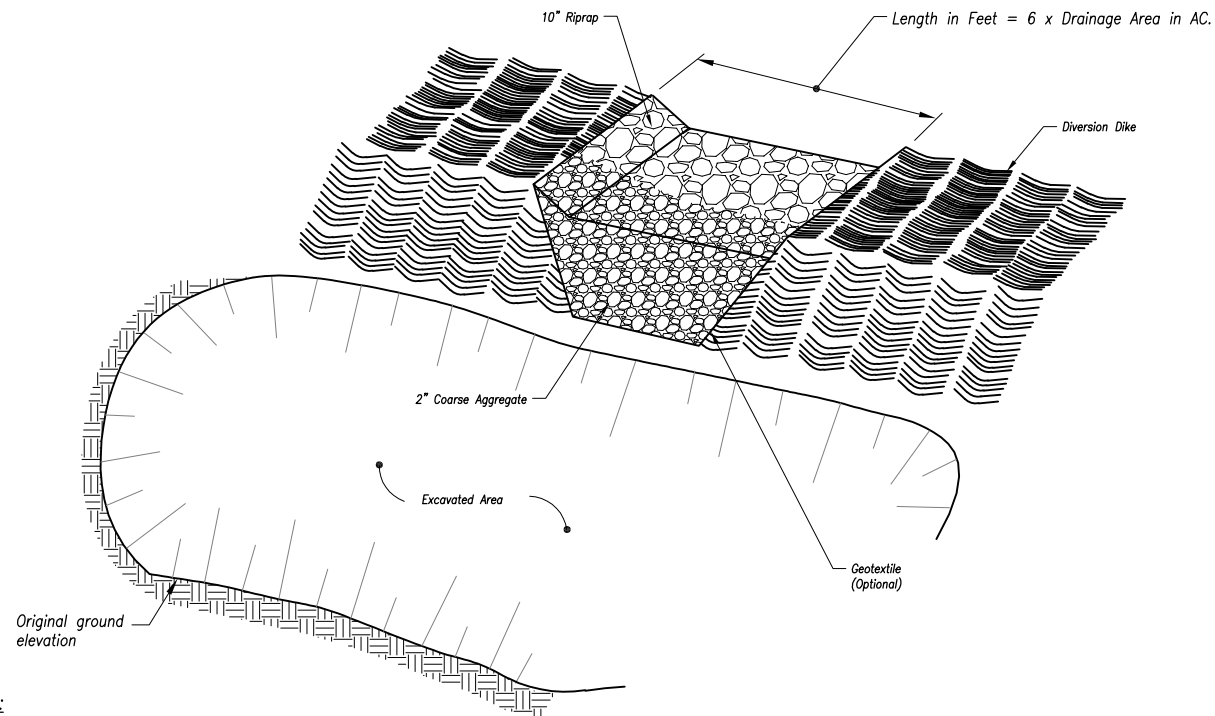


(*) Cross Section of Outlet
Not to Scale



(*) Perspective View of Outlet
Not to Scale

Notes:

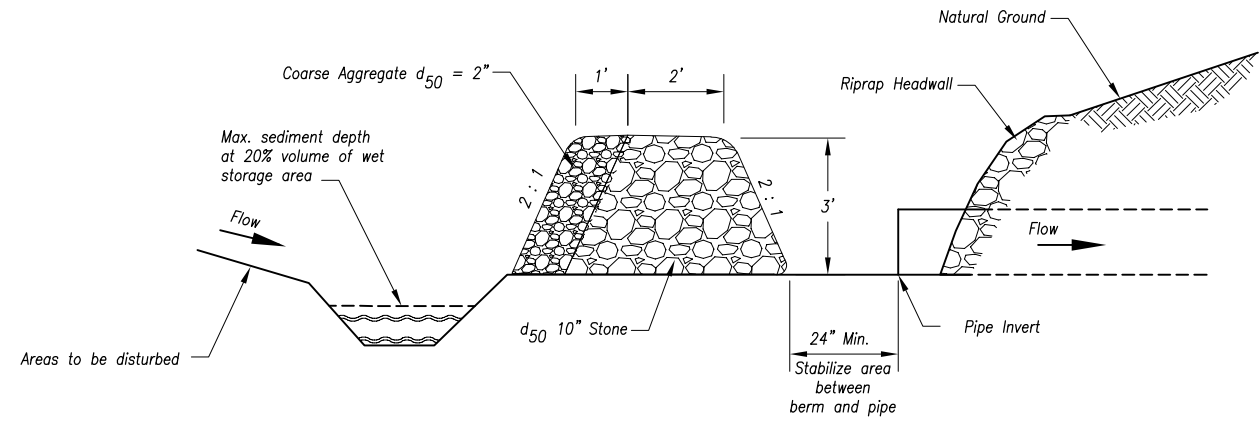
1. Overland Park Municipal Code (OPMC) and Overland Park Design and Construction Standards Manual (OPDCSM) are incorporated, except as otherwise noted.
2. The area under the embankment shall be cleared, grubbed, and stripped of any vegetation and root mat.
3. Fill material for the embankment shall be free of roots or other woody vegetation, organic material, large stones, and other objectionable material. The embankment should be compacted in 6-inch layers by traversing with construction equipment.
4. The earthen embankment shall be stabilized immediately after installation.
5. Construction operations shall be carried out to minimize erosion and water pollution.
6. The structure shall be removed and the area stabilized when the upslope drainage area has been stabilized.
7. All cut and fill slopes shall be 2H : 1V or flatter, except for excavated, wet storage areas which may be at a maximum 1H : 1V grade.

(*) - The perspective view and cross section are schematic in nature. Construction plans must provide specific site construction arrangements.

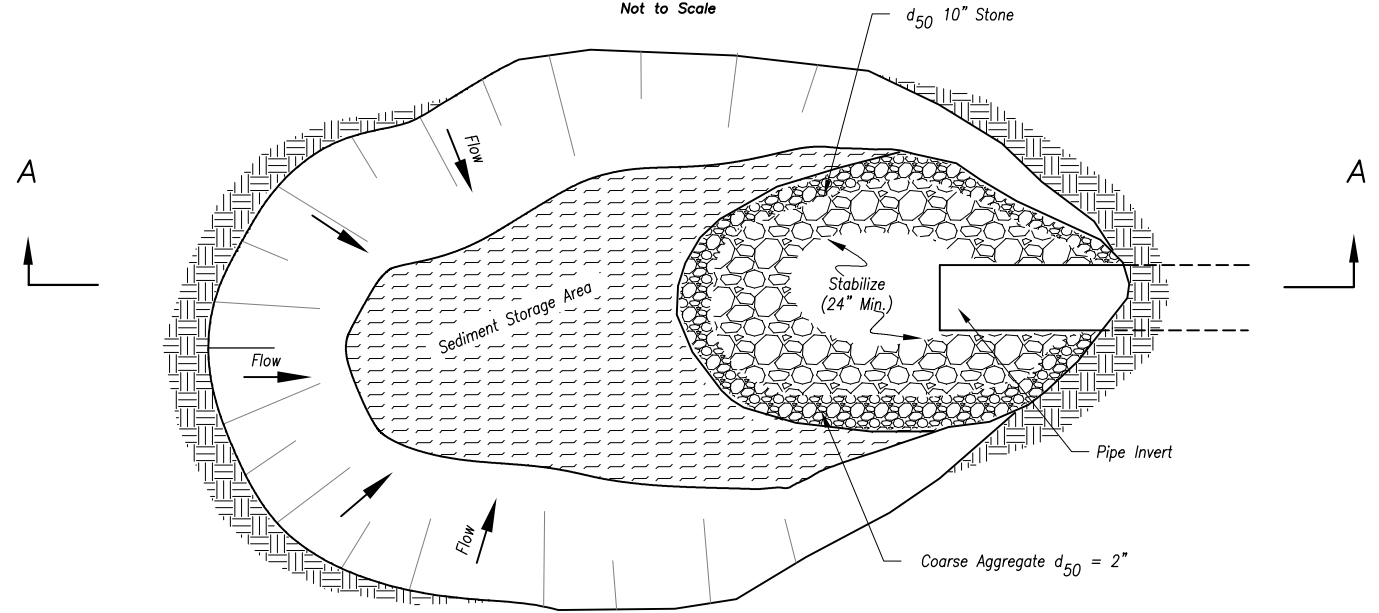
Maintenance:

Check sediment traps after periods of significant runoff. Remove sediment and restore the trap to its original dimensions when sediment accumulates to 20% of the storage capacity. Immediately repair any erosion damage to the embankment and outlet. Keep outlet and pool area free of all trash and other debris.

TEMPORARY SEDIMENT TRAP



Section A-A
Not to Scale



Plan View
Not to Scale

Notes:

1. Overland Park Municipal Code (OPMC) and Overland Park Design and Construction Standards Manual (OPDCSM) are incorporated, except as otherwise noted.
2. The inlet protection device shall be constructed in a manner that will facilitate clean-out and disposal of trapped sediment and minimize interference with construction activities.
3. The inlet protection devices shall be constructed in such manner that any resultant ponding stormwater will not cause excessive inconvenience or damage to adjacent areas or structures.
4. Geometry of the design will be a horseshoe shape around the culvert inlet.
5. The toe of the riprap shall be no closer than 24" from the culvert opening to provide an acceptable emergency outlet for flows from larger storm events.
6. Storage requirements equivalent to that of temporary sediment trap.
7. 67 C.Y./Acre wet storage below base of stone.
8. 67 C.Y./Acre dry storage from base of stone to top of stone berm.

Maintenance:

Check sediment traps after periods of significant runoff. Remove sediment and restore the trap to its original dimensions when sediment accumulates to 20% of the storage capacity. Immediately repair any erosion damage to the embankment and outlet. Keep outlet and pool area free of all trash and other debris.

CULVERT INLET SEDIMENT TRAP

REVISIONS:		<p>ABOVE AND BEYOND. BY DESIGN.</p>
RELATED ORDINANCES: OPMC Title 15		
		DEPARTMENT OF PUBLIC WORKS STANDARD DETAILS
		TEMPORARY SEDIMENT TRAP
DATE: 01/10/2012		SHEET: 39