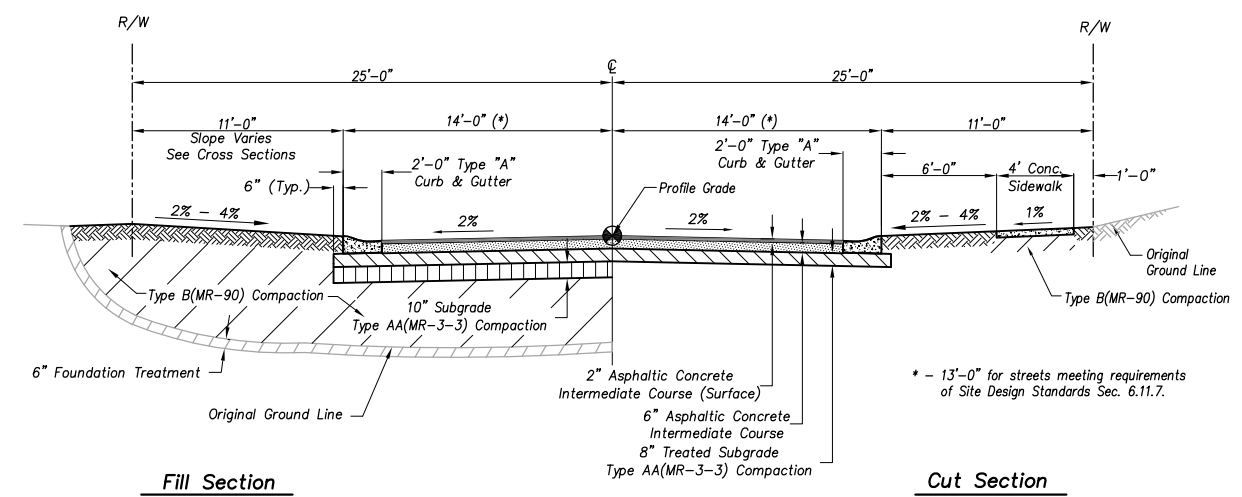
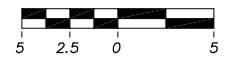


Typical Roadway Section – Collector Street

Notes:

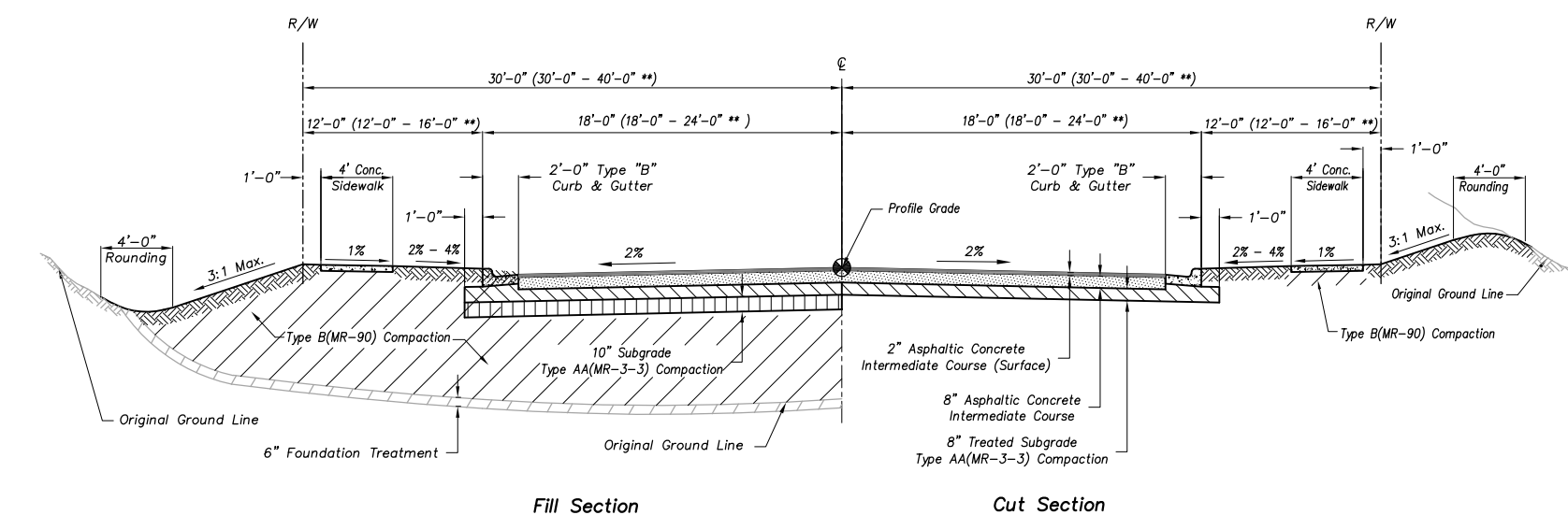
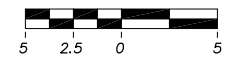
- The Overland Park Municipal Code (OPMC) and Overland Park Design and Construction Standards Manual (OPDCSM) are incorporated, except as otherwise noted.
- Sidewalk and Earthwork requirements shall be as specified in OPDCSM.



Typical Roadway Section – Residential Street

Notes:

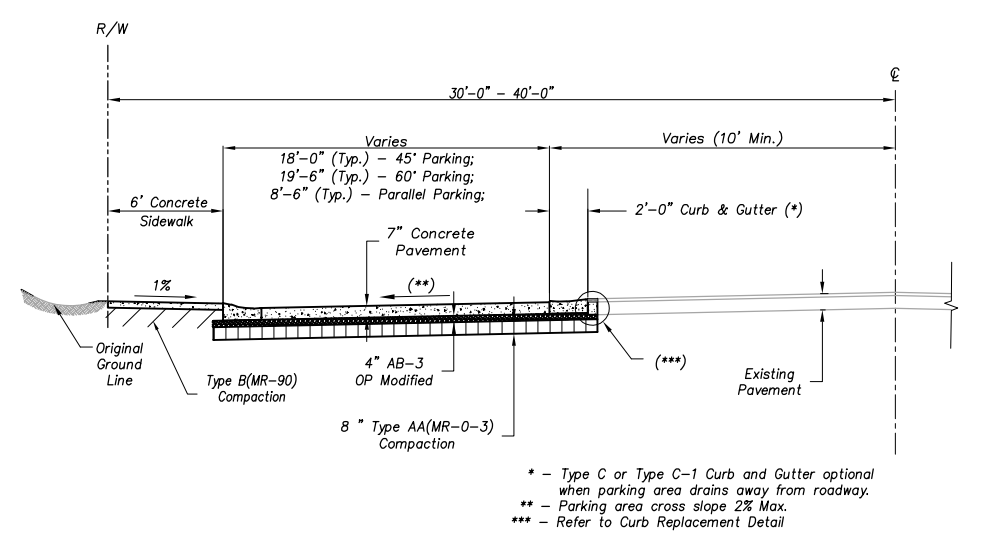
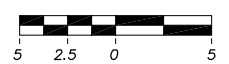
- The Overland Park Municipal Code (OPMC) and Overland Park Design and Construction Standards Manual (OPDCSM) are incorporated, except as otherwise noted.
- Sidewalk and Earthwork requirements shall be as specified in OPDCSM.



Typical Roadway Section – Industrial (Commercial **) or Apartment Street

Notes:

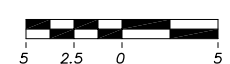
- The Overland Park Municipal Code (OPMC) and Overland Park Design and Construction Standards Manual (OPDCSM) are incorporated, except as otherwise noted.
- Sidewalk and Earthwork requirements shall be as specified in OPDCSM.



Typical On Street Parking

Notes:

- The Overland Park Municipal Code (OPMC) and Overland Park Design and Construction Standards Manual (OPDCSM) are incorporated, except as otherwise noted.
- Sidewalk and Earthwork requirements shall be as specified in OPDCSM.



Year 2022 Edition

REVISIONS:	
05/10/01	Surface Course
07/01/03	Notes
Feb. 2008	OPMC Reference
RELATED ORDINANCES:	
OPMC Title 13	
OPMC Title 18	

OVERLAND PARK
KANSAS
ABOVE AND BEYOND. BY DESIGN.

DEPARTMENT OF PUBLIC WORKS
STANDARD DETAILS

ASPHALT STREET SECTION