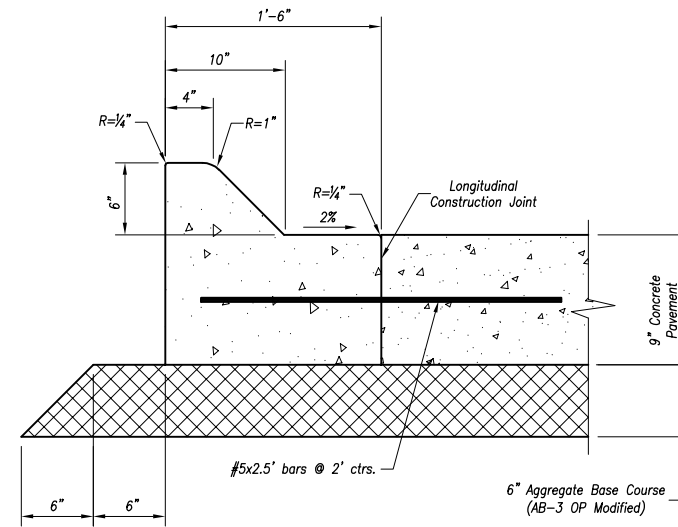
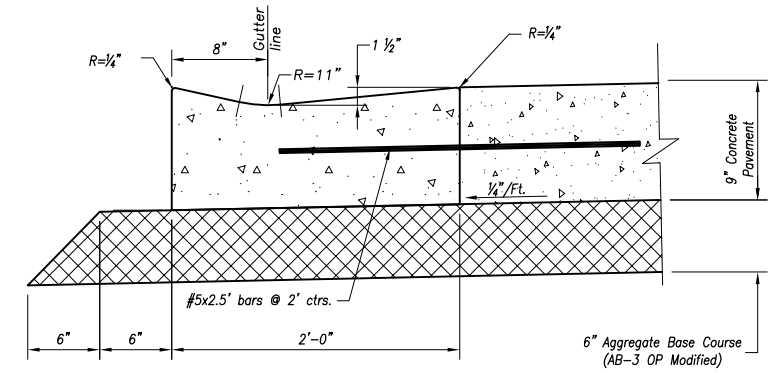


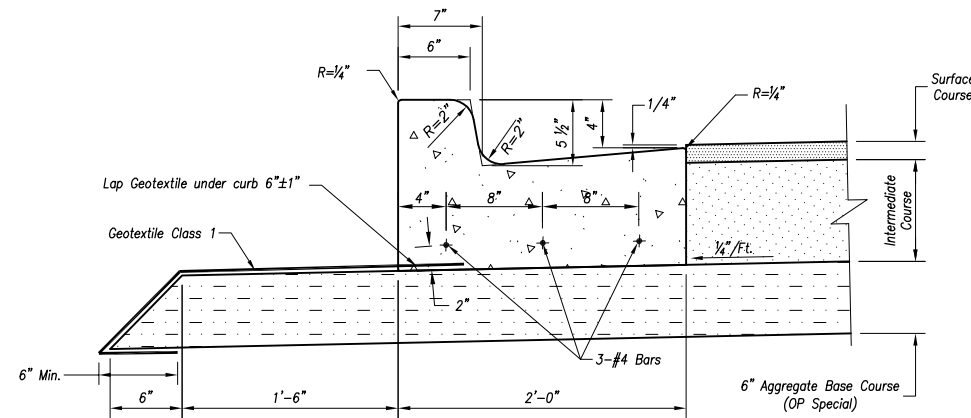
**Type "B" Curb / Concrete Pavement
with AB-3 OP Modified Base**



**Type "E" Median Curb / Concrete Pavement
with AB-3 OP Modified Base**



**Type "C" Curb / Concrete Pavement
with AB-3 OP Modified Base**



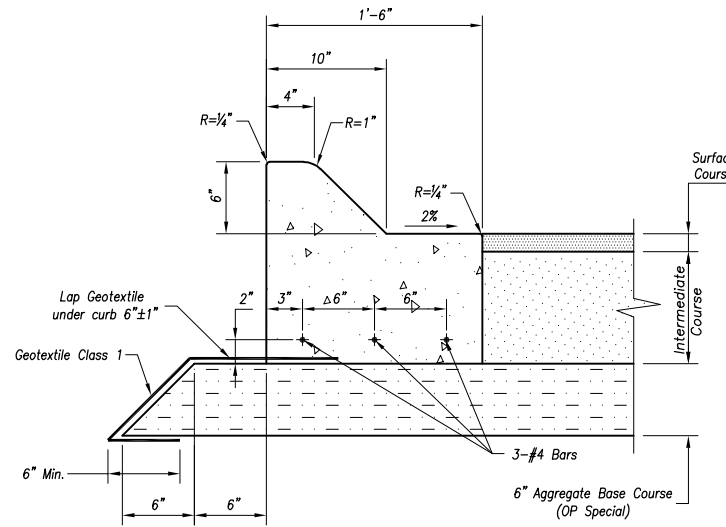
**Type "B" Curb / Asphalt Pavement
with OP Special Base**

Notes:

1. The Overland Park Municipal Code (OPMC) and Overland Park Design and Construction Standards Manual (OPDCSM) are incorporated, except as otherwise noted.

CONCRETE CURB & GUTTER

Not to Scale



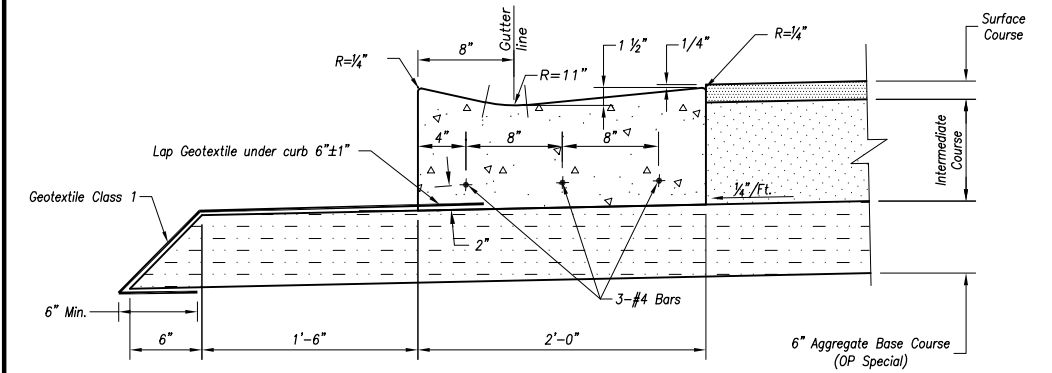
**Type "E" Median Curb / Asphalt Pavement
with OP Special Base**

Notes:

1. The Overland Park Municipal Code (OPMC) and Overland Park Design and Construction Standards Manual (OPDCSM) are incorporated, except as otherwise noted.

CONCRETE MEDIAN CURB

Not to Scale



**Type "C" Curb / Asphalt Pavement
with OP Special Base**

Notes:

1. The Overland Park Municipal Code (OPMC) and Overland Park Design and Construction Standards Manual (OPDCSM) are incorporated, except as otherwise noted.

CONCRETE CURB & GUTTER

Not to Scale

Year 2022 Edition

| REVISIONS: | |
|---------------------|---------------------------|
| 07/01/03 | Concrete Mix Designation; |
| Jan. 2008 | Notes; |
| Feb. 2008 | OPMC Reference |
| Jan. 2011 | Median Curb |
| RELATED ORDINANCES: | |
| OPMC Title 13 | |

OVERLAND PARK
KANSAS

ABOVE AND BEYOND. BY DESIGN.

DEPARTMENT OF PUBLIC WORKS
STANDARD DETAILS

CONCRETE CURB WITH AGGREGATE BASE
(THOROUGHFARES)

DATE: 05/20/03

SHEET: 11