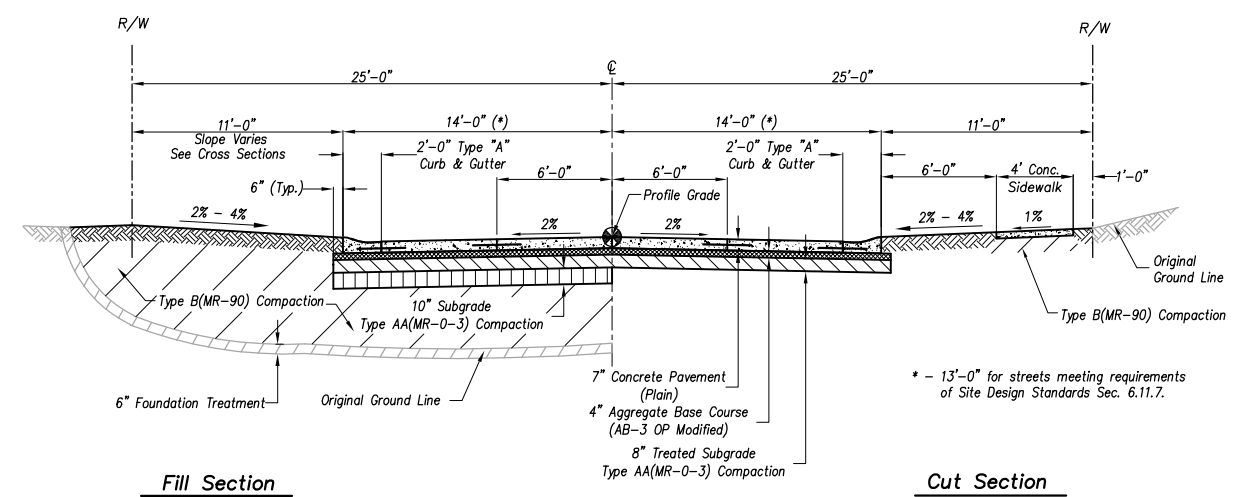
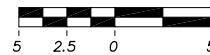


Typical Roadway Section – Collector Street

Notes:

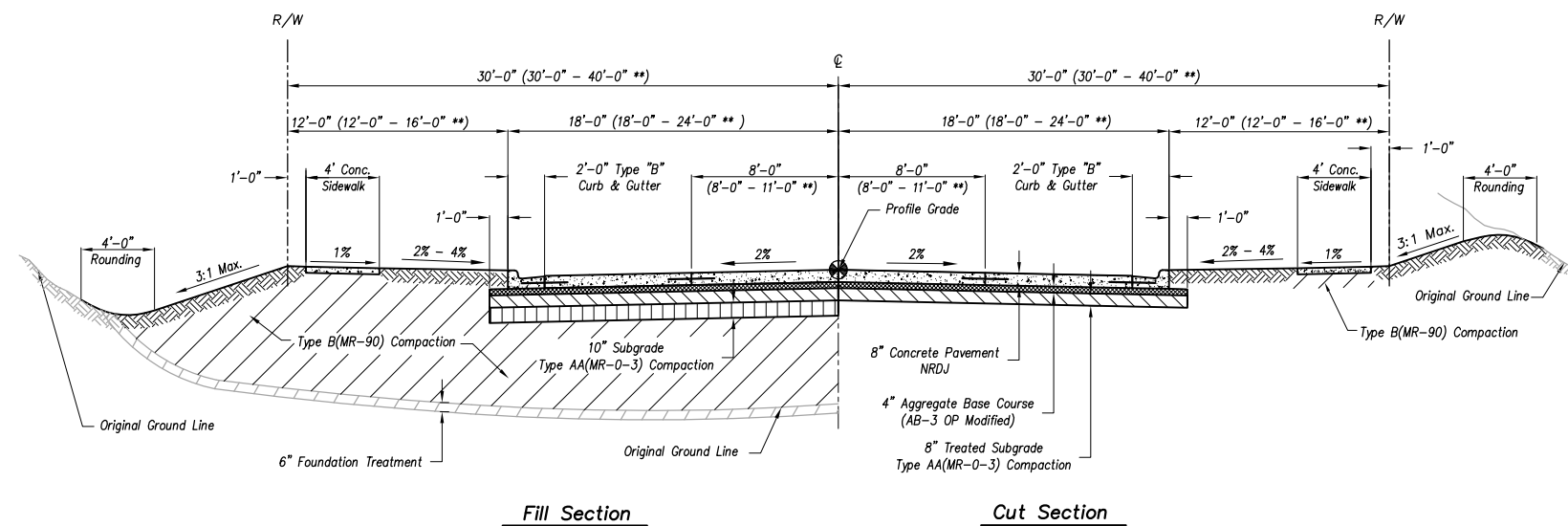
1. The Overland Park Municipal Code (OPMC) and Overland Park Design and Construction Standards Manual (OPDCSM) are incorporated, except as otherwise noted.
2. Sidewalk and Earthwork requirements shall be as specified in OPDCSM.



Typical Roadway Section – Residential Street

Notes:

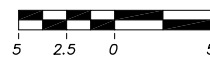
1. The Overland Park Municipal Code (OPMC) and Overland Park Design and Construction Standards Manual (OPDCSM) are incorporated, except as otherwise noted.
2. Sidewalk and Earthwork requirements shall be as specified in OPDCSM.



Typical Roadway Section – Industrial (Commercial **) or Apartment Street

Notes:

1. The Overland Park Municipal Code (OPMC) and Overland Park Design and Construction Standards Manual (OPDCSM) are incorporated, except as otherwise noted.
2. Sidewalk and Earthwork requirements shall be as specified in OPDCSM.



Year 2022 Edition

OVERLAND PARK
KANSAS
ABOVE AND BEYOND. BY DESIGN.

DEPARTMENT OF PUBLIC WORKS
STANDARD DETAILS

CONCRETE STREET SECTION

REVISIONS:	
RELATED ORDINANCES:	
OPMC Title 13	
OPMC Title 18	