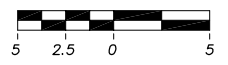
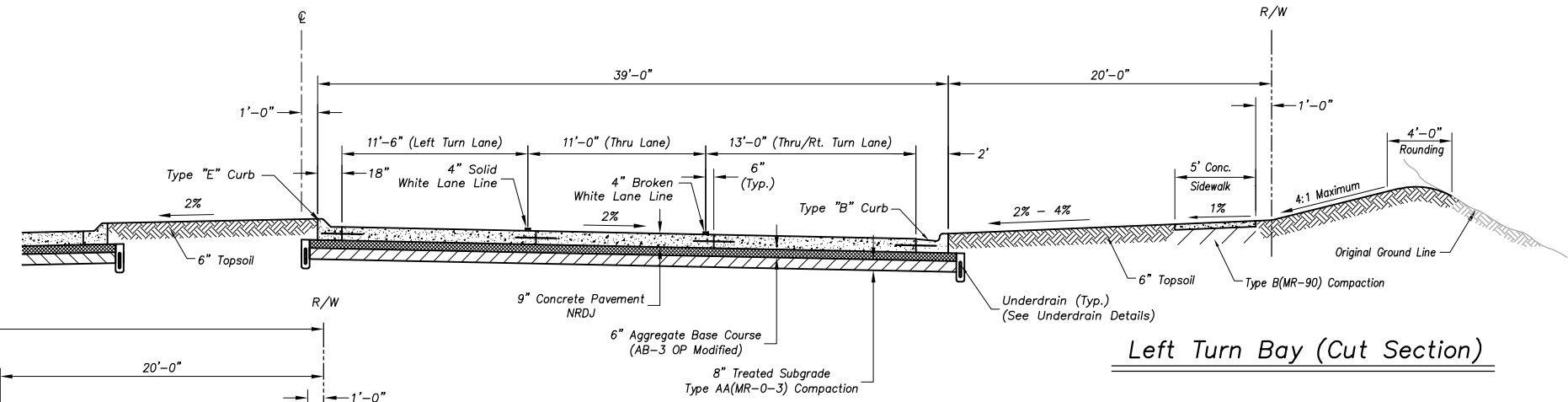


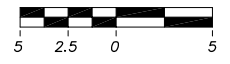
- Notes:**
- Overland Park Municipal Code (OPMC) and Overland Park Design and Construction Standards Manual (OPDCSM) are incorporated, except as otherwise noted.
 - Sidewalk and Earthwork requirements shall be as specified in OPDCSM.



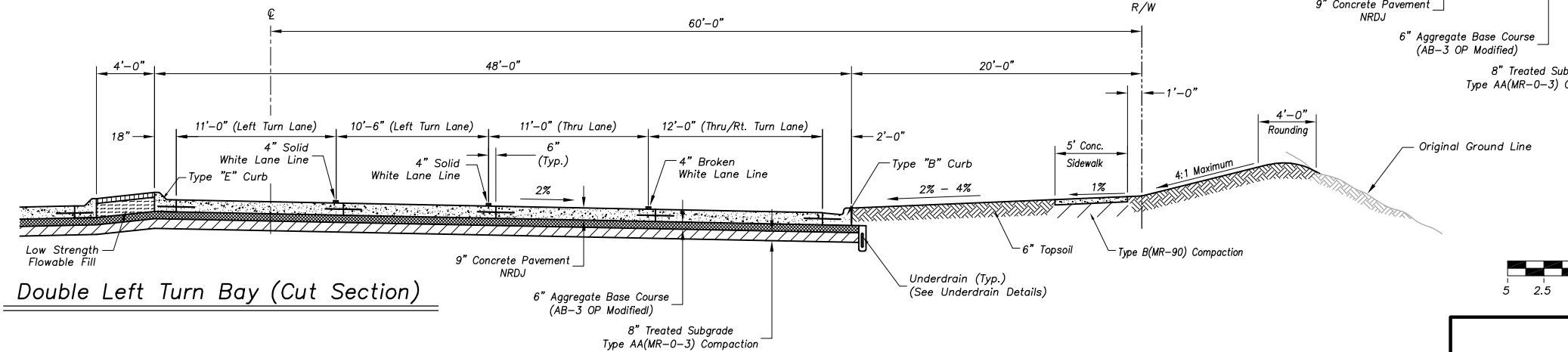
Typical 80' Roadway Section



- Notes:**
- Overland Park Municipal Code (OPMC) and Overland Park Design and Construction Standards Manual (OPDCSM) are incorporated, except as otherwise noted.
 - Sidewalk and Earthwork requirements shall be as specified in OPDCSM.



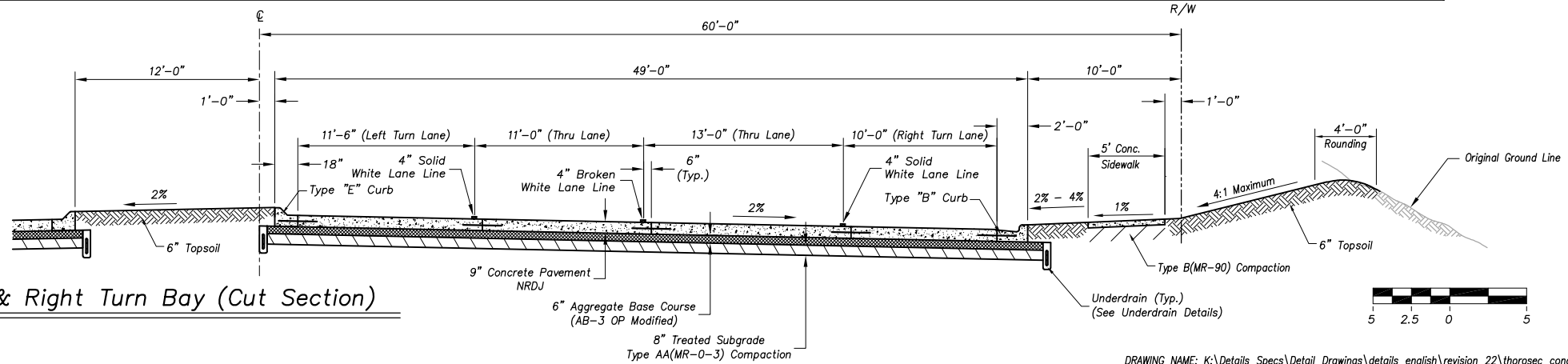
Left Turn Bay (Cut Section)



- Notes:**
- Overland Park Municipal Code (OPMC) and Overland Park Design and Construction Standards Manual (OPDCSM) are incorporated, except as otherwise noted.
 - Sidewalk and Earthwork requirements shall be as specified in OPDCSM.



Double Left Turn Bay (Cut Section)



- Notes:**
- Overland Park Municipal Code (OPMC) and Overland Park Design and Construction Standards Manual (OPDCSM) are incorporated, except as otherwise noted.
 - Sidewalk and Earthwork requirements shall be as specified in OPDCSM.

Left & Right Turn Bay (Cut Section)

DRAWING NAME: K:\Details_Specs\Detail_Drawings\details_english\revision_22\thorosec_concrete.dwg

Year 2022 Edition



DEPARTMENT OF PUBLIC WORKS
STANDARD DETAILS

CONCRETE THOROUGHFARE SECTION

REVISIONS:	
RELATED ORDINANCES:	
OPMC Title 13	
OPMC Title 18	

DATE: 01/28/2015 SHEET: 2