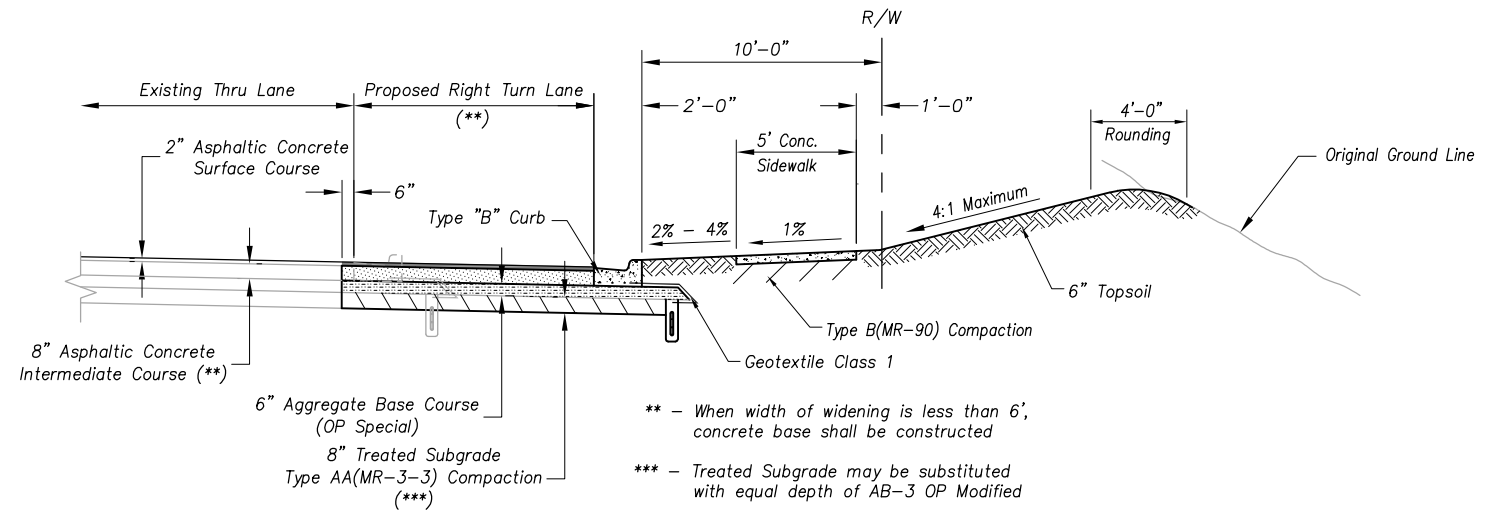


\* - Connect to existing underdrain to ensure continuous underdrain system

Typical Left Turn Lane Construction

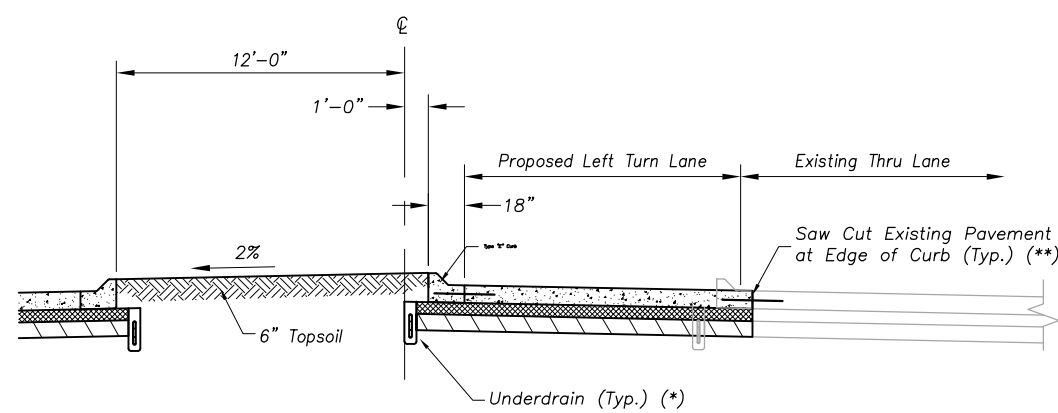


\*\* - When width of widening is less than 6', concrete base shall be constructed

\*\*\* - Treated Subgrade may be substituted with equal depth of AB-3 OP Modified

Typical Right Turn Lane Construction

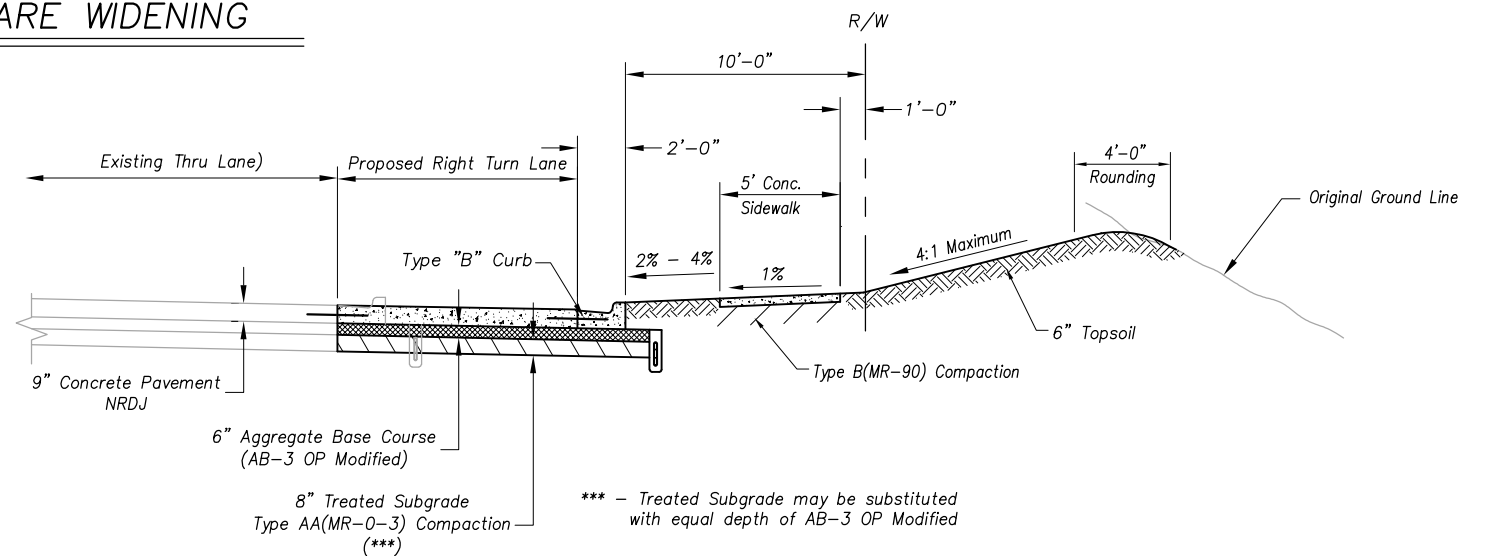
ASPHALT THOROUGHFARE WIDENING



\* - Connect to existing underdrain to ensure continuous underdrain system

\*\* - Refer to Concrete Joint Layout detail for construction joint requirements

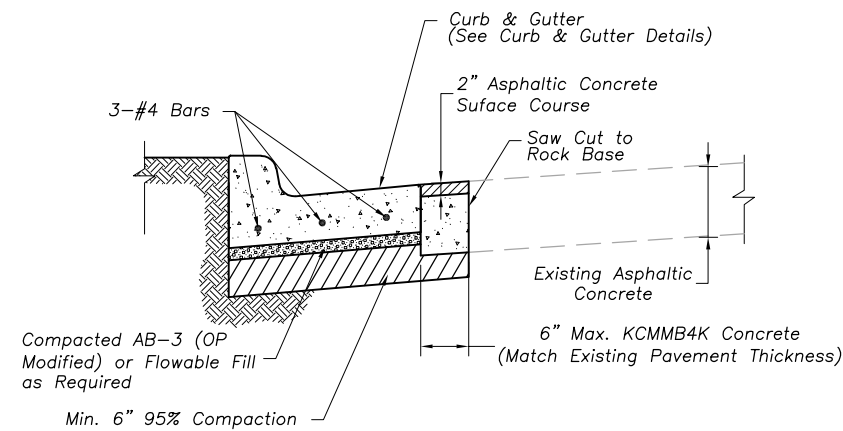
Typical Left Turn Lane Construction



\*\*\* - Treated Subgrade may be substituted with equal depth of AB-3 OP Modified

Typical Right Turn Lane Construction

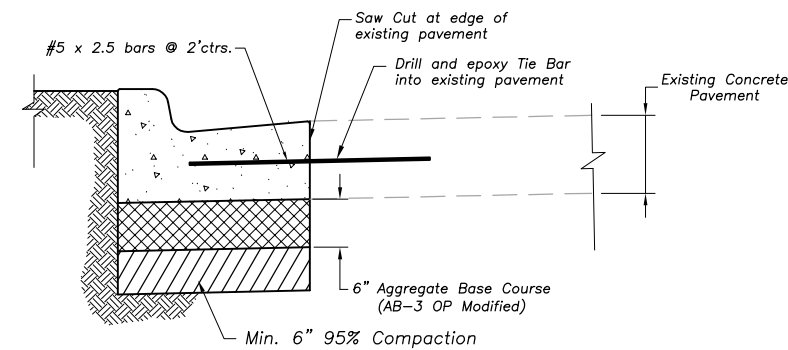
CONCRETE THOROUGHFARE WIDENING



Curb Replacement Notes:

1. Overland Park Municipal Code (OPMC) and Overland Park Design and Construction Standards Manual (OPDCSM) are incorporated, except as otherwise noted.
2. 1/2" premolded expansion joints shall be placed at points of curvature, curb returns, curb inlets, and at 250' centers. The expansion joints, except @ curb returns and curb inlets, shall be sealed in accordance with OPDCSM. Contraction joints shall be 2" deep, and placed at 15' intervals equally spaced between expansion joints.
3. Concrete used in this work shall be KCMMB4K and shall meet the requirements of the OPMC.

Asphalt Roadway



Curb Replacement Notes:

1. Overland Park Municipal Code (OPMC) and Overland Park Design and Construction Standards Manual (OPDCSM) are incorporated, except as otherwise noted.
2. Curb joints shall match existing pavement joints.
3. Concrete used in this work shall be KCMMB4K and shall meet the requirements of the OPMC.

Concrete Roadway

CURB REPLACEMENT

REVISIONS:	
05/20/03	Notes
07/01/03	Concrete Mix Designation
Jan. 2006	Miscellaneous
Feb. 2008	OPMC Reference
RELATED ORDINANCES:	
OPMC Title 13	

OVERLAND PARK  
KANSAS

ABOVE AND BEYOND. BY DESIGN.

DEPARTMENT OF PUBLIC WORKS  
STANDARD DETAILS

THOROUGHFARE WIDENING  
AND CURB REPLACEMENT DETAILS

Year 2022 Edition